

Clearlight®

RED LIGHT THERAPY
TOWER STAND

USER MANUAL

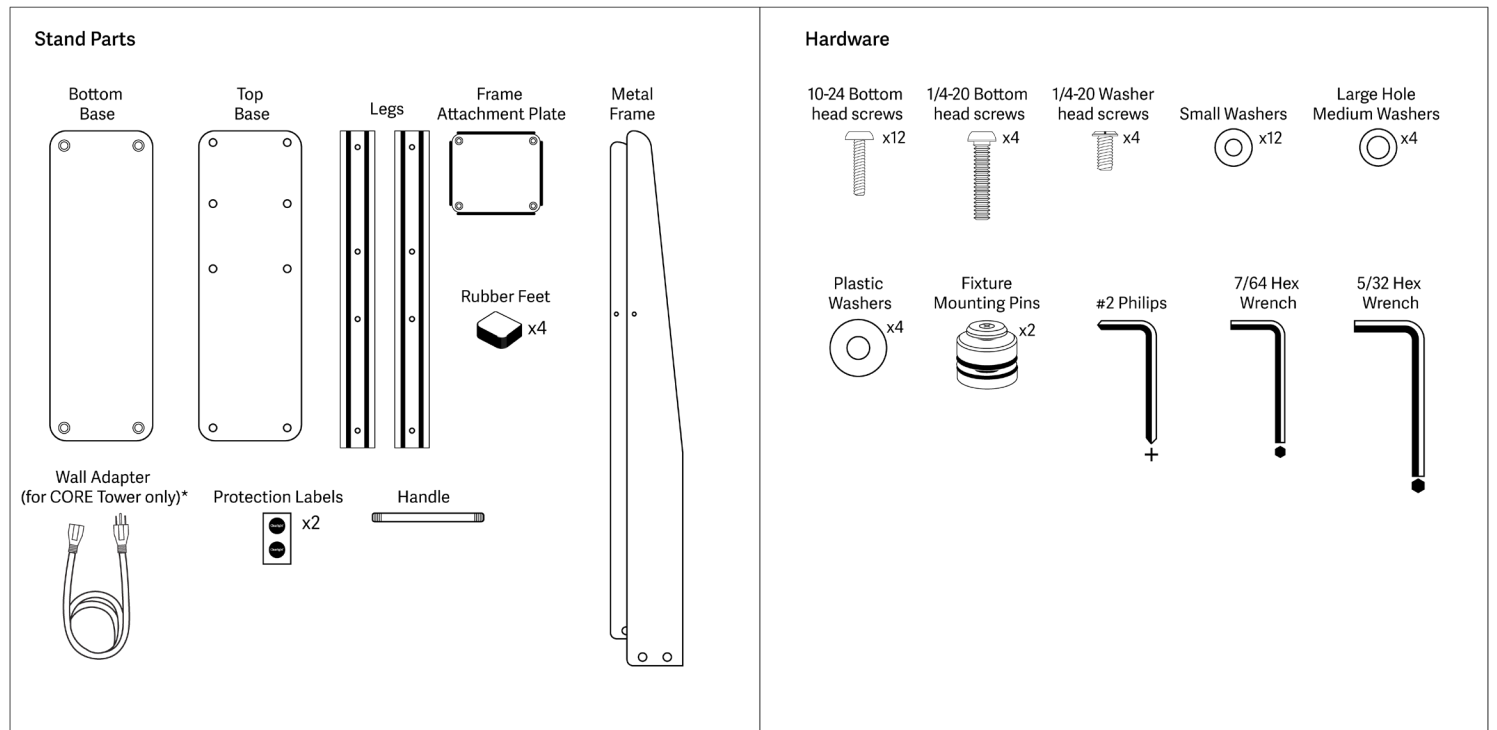
Red Light Therapy Stand

Clearlight®

Designed for CORE and FULL BODY Towers

Our stand base features a flat design that easily fits under furniture like beds, tables, and sofas. Position yourself in front of the stand base and align your feet to achieve the optimal 6-inch distance from the red light therapy units, making it convenient for your daily therapy routine.

Contents:



Assembly Instructions:

1

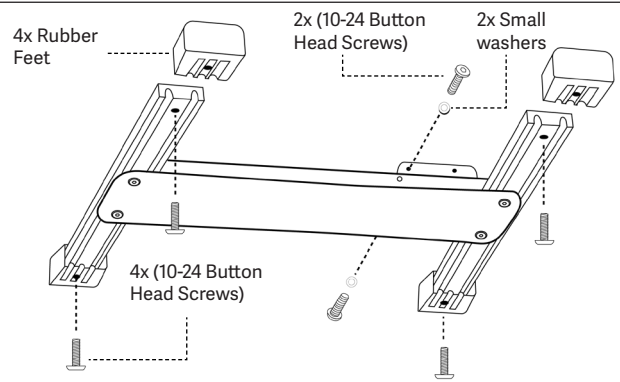
Attach the frame attachment plate to the top base using the 4 provided 1/4-20 washer head screws and plastic washers. Use the 5/32 hex wrench for this step.

2

Take both the top and bottom base plates and fit them together, ensuring the sides of the top plate overlap the sides of the bottom plate. Insert both legs, ensuring the holes line up perfectly, then secure them using the 1/4-20 button head screws and large hole medium washers.

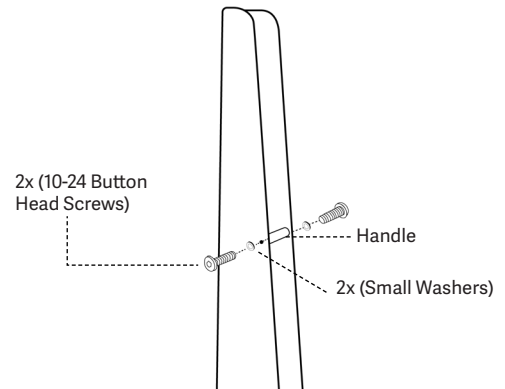
3

Attach the 4 rubber feet to the legs and side base plate using the 10-24 button head screws. Use the 7/64 hex wrench for the screws on the side base plate and small washers for these screws.



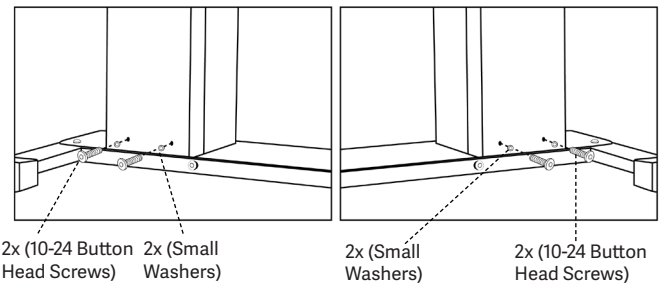
4

Align the holes on the side of the Tower with the threaded holes of the handle. Use the 10-24 button head screws and small washers to attach them securely. Utilize the 7/64 hex wrench for this step.



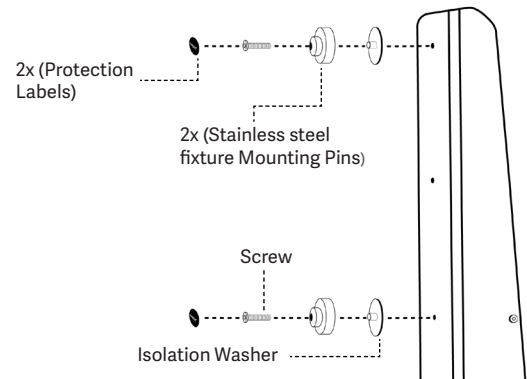
5

Attach the metal frame to the frame attachment plate using the 4 remaining 10-24 screws and small washers. Again, use the 7/64 hex wrench for this step.



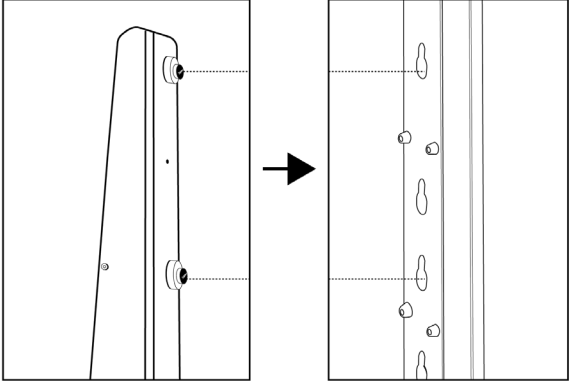
6

Install the 2 stainless steel fixture mounting pins with the isolation washers as shown, using the #2 Phillips Tool on both the top and boom mount holes. Once securely fastened, apply the provided protection labels.



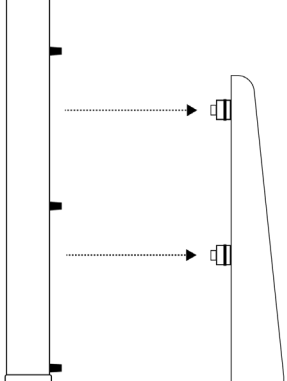
Attaching the Light Therapy Tower:

1 Ensure the stand is stable.



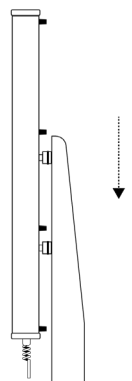
The diagram illustrates the first step of assembly. On the left, a trapezoidal stand is shown with two circular mounting points. A horizontal arrow points to the right, where a vertical tower is shown with two corresponding mounting pins. Dotted lines indicate the alignment between the stand's mounting points and the tower's pins.

2 Align the fixture with the mounting pins.



The diagram shows the second step. A vertical tower is on the left with two mounting pins. A light fixture is on the right, being moved towards the pins. Dotted lines and arrows indicate the alignment of the fixture's mounting points with the tower's pins.

3 Slide the fixture down over the pins until it engages with the back plate.



The diagram shows the third step. The light fixture is now positioned over the tower's mounting pins. A vertical arrow points downwards, indicating the direction to slide the fixture down until it locks onto the pins and the back plate.

Warranty:

5 years Residential and commercial